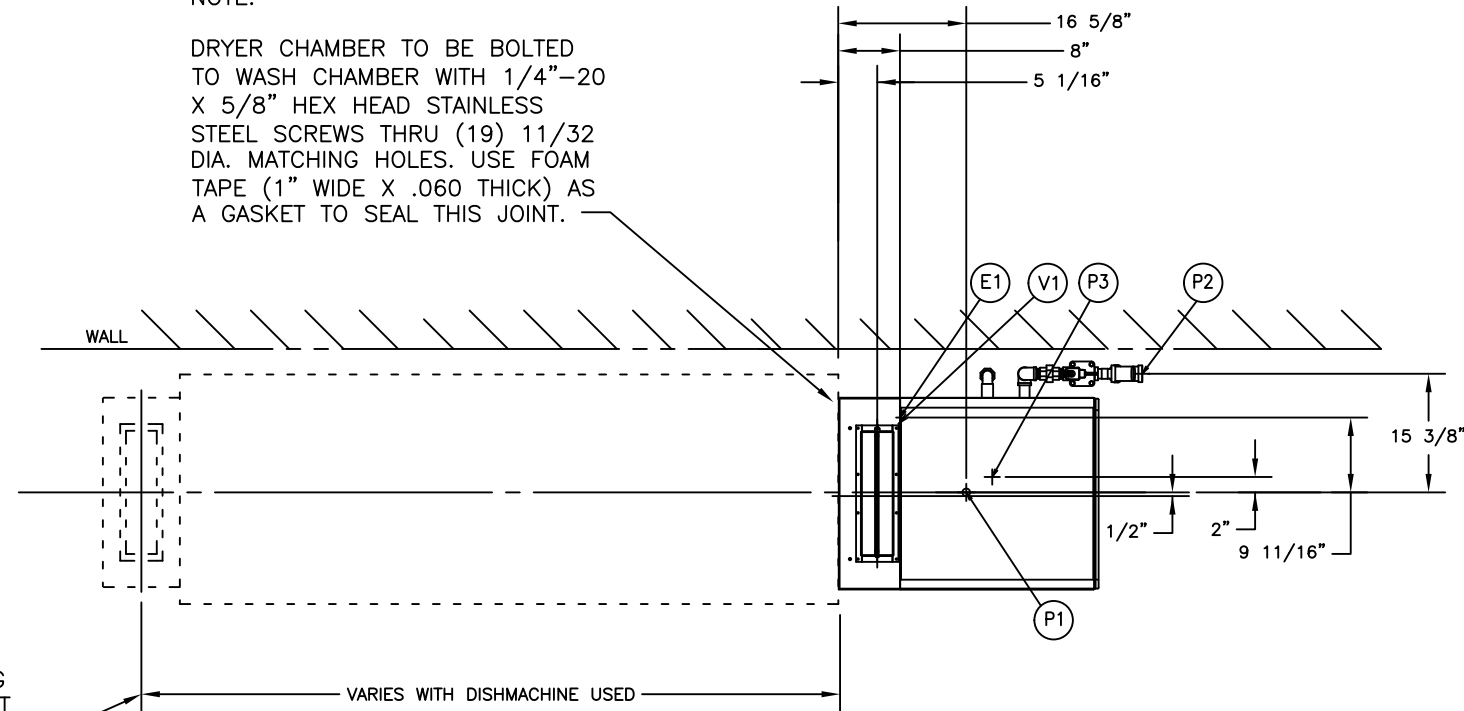


NOTE:

DRYER CHAMBER TO BE BOLTED TO WASH CHAMBER WITH 1/4"-20 X 5/8" HEX HEAD STAINLESS STEEL SCREWS THRU (19) 11/32 DIA. MATCHING HOLES. USE FOAM TAPE (1" WIDE X .060 THICK) AS A GASKET TO SEAL THIS JOINT.



NOTE:

REFER TO DISHMACHINE DWG OF MACHINE USED FOR VENT LOCATION AT ENTRANCE END.

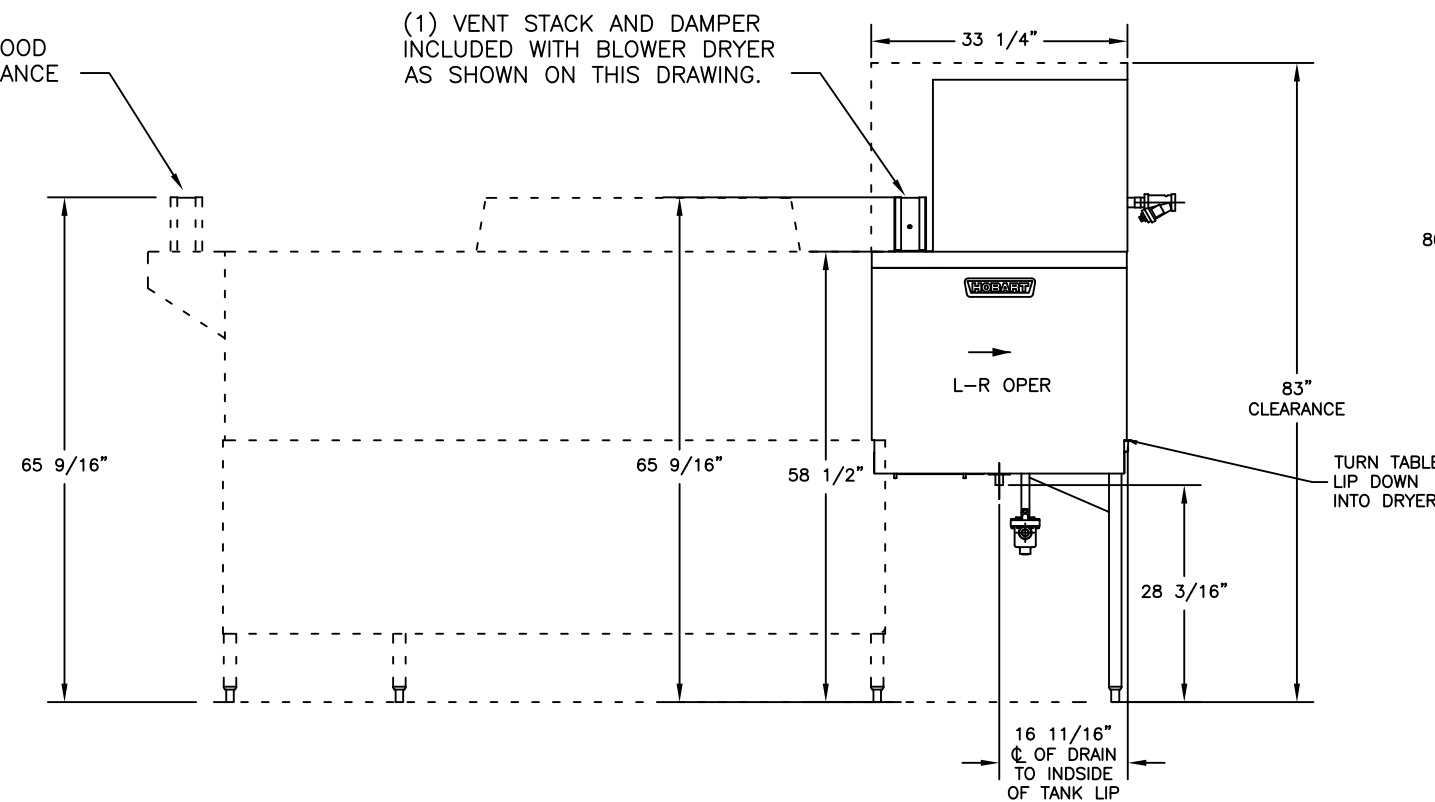
VARIES WITH DISHMACHINE USED

NOTE:

ORDER (1) (OPTIONAL) VENT HOOD FOR CONNECTION AT THE ENTRANCE END OF DISHMACHINE.

NOTE:

(1) VENT STACK AND DAMPER INCLUDED WITH BLOWER DRYER AS SHOWN ON THIS DRAWING.



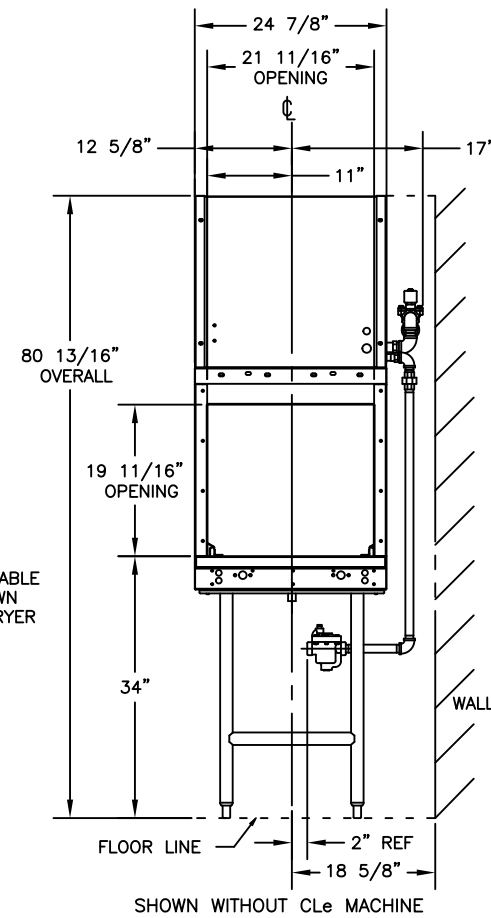
SINGLE POINT ELECTRICAL CONNECTION BLOWER MOTOR & STEAM HEAT (3 PH ONLY)

E1	ELECTRICAL SPECS	RATED AMPS	MINIMUM SUPPLY CIRCUIT CONDUCTOR AMPACITY	MAXIMUM PROTECTIVE DEVICE
	208/60/3	4.5	15	15
	240/60/3	4.5	15	15
	380/60/3	2.6	15	15
	480/60/3	2.6	15	15
	600/60/3	2.1	15	15
	200/50/3	4.5	15	15
	380-415/50/3	2.6	15	15

CONNECTION INFORMATION (AFF = ABOVE FINISHED FLOOR)

LEGEND

- E1 ELECTRIC CONNECTION: KNOCKOUT MADE BY CUSTOMER, 1-1/8" CONDUIT HOLE, 61" AFF
- P1 DRAIN CONNECTION IN DRYER TANK: 1" FPT., 28-3/16 AFF.
- P2 STEAM SUPPLY CONNECTION: 10 TO 25 PSI FLOWING 1" FEMALE PIPE THREAD, 64-7/8" AFF.
- P3 STEAM CONDENSATE RETURN CONNECTION: 3/4" FEMALE PIPE THREAD. (BUCKET TYPE TRAPS FURNISHED), 22" AFF
- V1 VENT CONNECTION-DISCHARGE END: 4" WIDE X 16" LONG (INSIDE DIM.) WITH LOCKING TYPE DAMPER. 400 C.F.M.



NOTE:

THIS DRAWING IS SUPPLIED AS A REFERENCE FOR CONNECTION INFORMATION ONLY. IT WILL NOT BE UTILIZED FOR MANUFACTURING OF UNIT.

CUSTOMER SERVICE, IN TROY, OHIO, MUST BE NOTIFIED OF ANY CHANGES.



ELECTRICAL AND GROUNDING CONNECTIONS MUST COMPLY WITH THE APPLICABLE PORTIONS OF THE NATIONAL ELECTRICAL CODE AND/OR OTHER LOCAL ELECTRICAL CODES.

PLUMBING CONNECTIONS MUST COMPLY WITH APPLICABLE SANITARY, SAFETY, AND PLUMBING CODES.

CAUTION:

CERTAIN MATERIALS INCLUDING SILVER, ALUMINUM, AND PEWTER ARE ATTACKED BY SODIUM HYPOCHLORITE (LIQUID BLEACH).

H.O.#
PROJECT#
QUOTE#

REV	DESCRIPTION	DATE	INIT.
NAME:	SALES DRAWING		
MODEL:	BLOWER DRYER, STEAM HEAT		
DIRECTION:	L-R	DATE:	1/19/17
DRAWN BY:		SIZE	DRAWING NO.
		Y	
		SHEET 1 OF 1	REV. 1